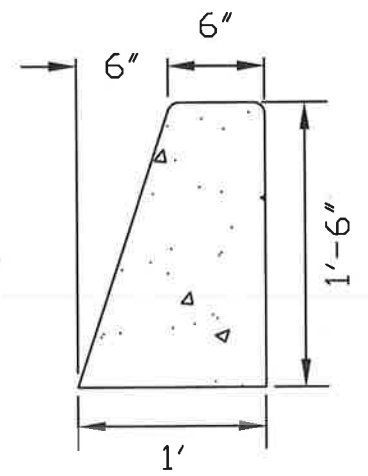
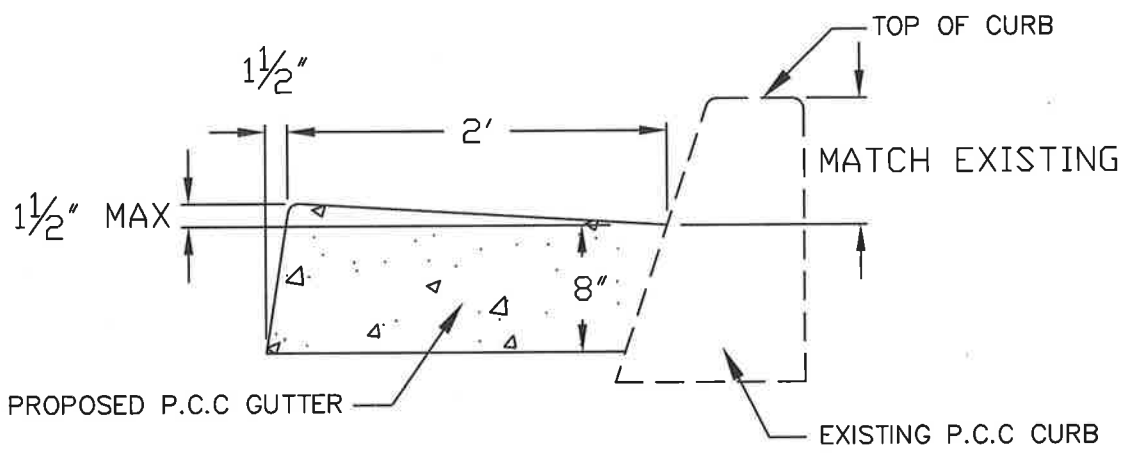


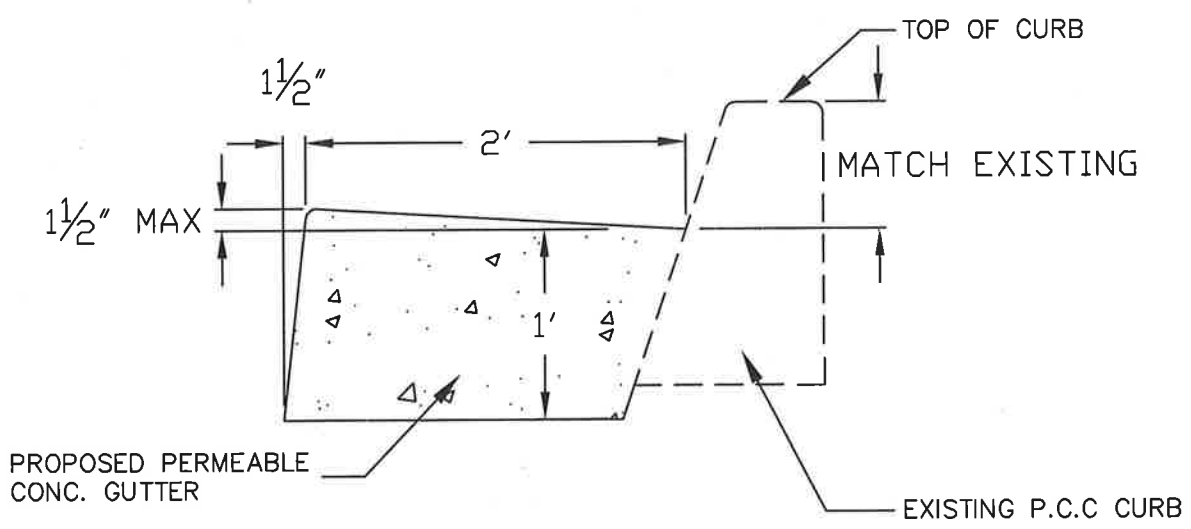
P.C.C. COMBINED CURB AND GUTTER



TYPE "A" CURB



P.C.C. LONGITUDINAL GUTTER



PERMEABLE LONGITUDINAL GUTTER


City of Santa Monica
 Department of Public Works
 1437 4th Street, Suite 300 Santa Monica, CA 90401
 TEL. (310) 458-8721 FAX. (310) 393-4425

STANDARD CURB & GUTTER CONSTRUCTION

SUBMITTED BY :	<i>Ang Jeline</i>	DRAWING NO.	SM 6
APPROVED BY :	<i>Lee Swain</i>	DATE :	5-6-2014
	LEE SWAIN, P.E. - CITY ENGINEER		1 OF 1