

List of Approved Backflow Prevention Assemblies

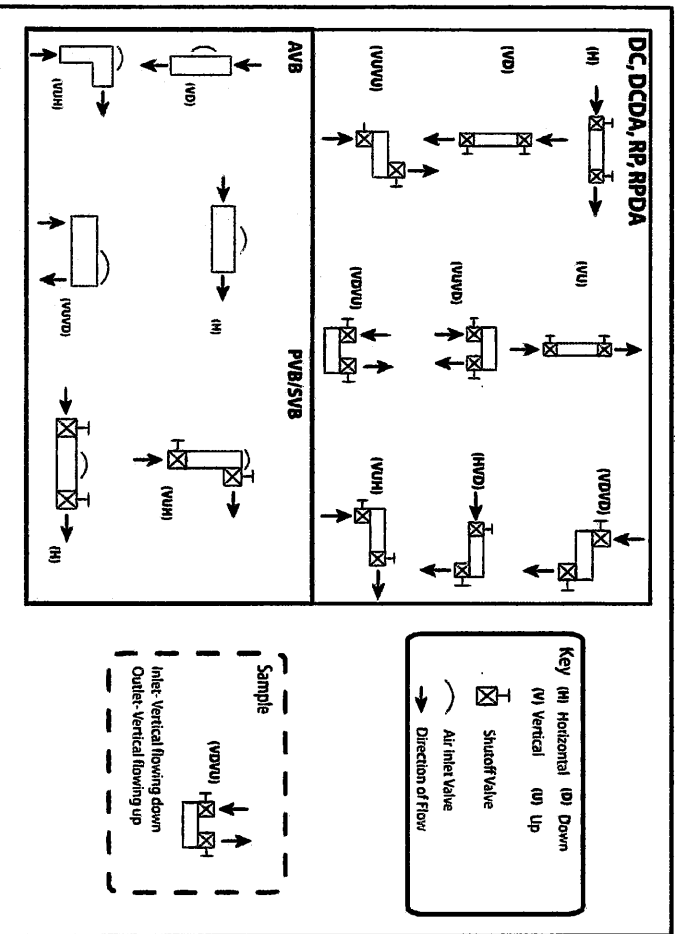
30 January 2008
Supersedes All Prior Lists

Most Recent Updates

Notice
The original Certificate of Approval - Identified by the Manual and the Approved date shown below - is valid only if the original or renewal date shown hereon is within three (3) years of the current date. The responsibility to request a renewal of an Approval is that of each manufacturer. The Foundation retains the right of determining the extent of re-evaluation required before renewal is granted. Certificates of Approval are not recalled for the purpose of updating the effective date. This revision of date is only published via the current List of Approved Backflow Prevention Assemblies.

Unless otherwise specified by the manufacturer all assemblies are to be installed on cold potable water applications - below 110°F. Also all of the assemblies listed are Approved for **INDICATED ORIENTATION ONLY** (Please see the legend to the right). Use of spare parts other than those of the original manufacturer invalidates the Approval.

Orientation of Assemblies



Additions			
Double Check Valve Assembly			
Manufacturer/Model	Size	Orientation(s)	Approved
Watts LF007QT	1/2	H	11-Jan-2008
Watts LF007M3QT	3/4	H	11-Jan-2008
Watts LF007M1QT	1	H	11-Jan-2008
Watts LF007M2QT	1 1/4	H	11-Jan-2008
Watts LF007M1QT	1 1/2	H	11-Jan-2008
Watts LF007QT	2	VU	11-Jan-2008
Watts LF007M3QT	3/4	VU	11-Jan-2008
Watts LF007M1QT	1	VU	11-Jan-2008
Watts LF007M2QT	1 1/4	VU	11-Jan-2008
Watts LF007M2QT	1 1/2	VU	11-Jan-2008
Watts LF007M1QT	2	VU	11-Jan-2008

Reduced Pressure Principle Assembly			
Manufacturer/Model	Size	Orientation(s)	Approved
Watts LF009QT	1/2	H	11-Jan-2008
Watts LF009M3QT	3/4	H	11-Jan-2008
Watts LF009M2QT	1	H	11-Jan-2008
Watts LF009M2QT	1 1/4	H	11-Jan-2008
Watts LF009M2QT	1 1/2	H	11-Jan-2008
Watts LF009M2QT	2	H	11-Jan-2008
Watts 957 BFG	4	H	17-Jan-2008
Watts 957 BFG	6	H	17-Jan-2008

USC Viterbi
School of Engineering

Detector Assembly Meters

The Double Check Detector Assemblies (DCCA) and Reduced Pressure Principle Detector Assemblies (RPPDA) contained herein have been evaluated with a specific meter as the detector element of the assembly. That specific meter is coded by a parenthetical letter shown in the "meters" column. The coding of meters is shown in this Section. Other meters having similar performance characteristics to permit the assembly to meet the Specifications are shown immediately after the original evaluation meter. The use of any other meter or modified bypass piping invalidates the Approval.

Most of the Approved Assemblies below utilize a line-size assembly which is not a standard or stock Approved assembly. Increased loads are required in these line-size units to allow the assembly to accurately record low flow rates in the bypass meter. Therefore, various "off the shelf" components can not be assembled and expected to perform satisfactorily. The bypass backflow preventer Approved with the detector assembly is listed under the "bypass" column. This is only for verification purposes. Should replacement parts or a complete by-pass be needed the model number of the complete detector assembly should be used in ordering these components.

- A Hersey Model F-F 5/8" x 3/4"
- B Carlton 5/8" x 3/4"
- C Dandé Model D-3 5/8" x 3/4"
- D Gamon-Calmet 5/8"
- E Hays Accumeter 5/8" x 3/4"
- F Arad 5/8" x 3/4" (Master Meter)
- G Schlumberger 5/8" x 3/4" Model MBRF
- H Rockwell (Sensus) SR-II 5/8" x 3/4"
- I Hersey Model 430 - 5/8"
- J ABB Model C700 5/8" x 3/4" (formerly Kent)
- K Precision 5/8"
- L Neptune Trident 8 5/8"
- M Neptune T-10 5/8"
- N Badger Model 25 3/4"
- O Badger 5/8" x 3/4" Model M25
- P Hersey Model 430 Series II 5/8"
- Q Hersey Model MVR-30 3/4"
- R Neptune T-10 1"
- S Neptune T-10 1 1/2"

